



Jinko ESS Liquid Cooling Solution of Micro-grid AC- coupled System

250kW/645kWh Li-ion BESS Project in Lebanon

Case Study

Project Overview

The project is situated in a rural area of Lebanon, characterized by extensive land and low population density where grid power is not available, and the facility is running only on diesel generators.

This project is designed to provide a reliable and efficient energy storage solution for the micro-grid system.

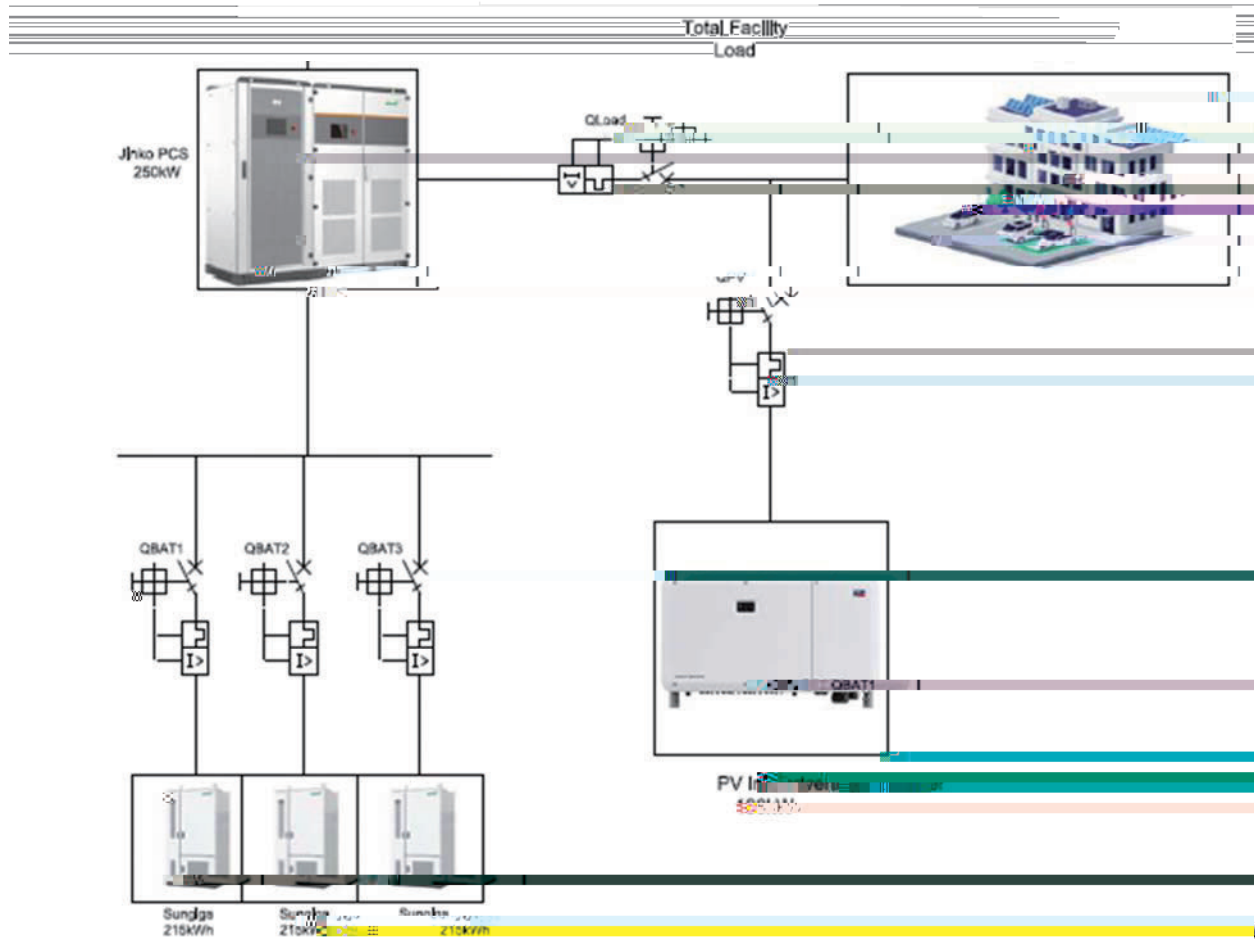
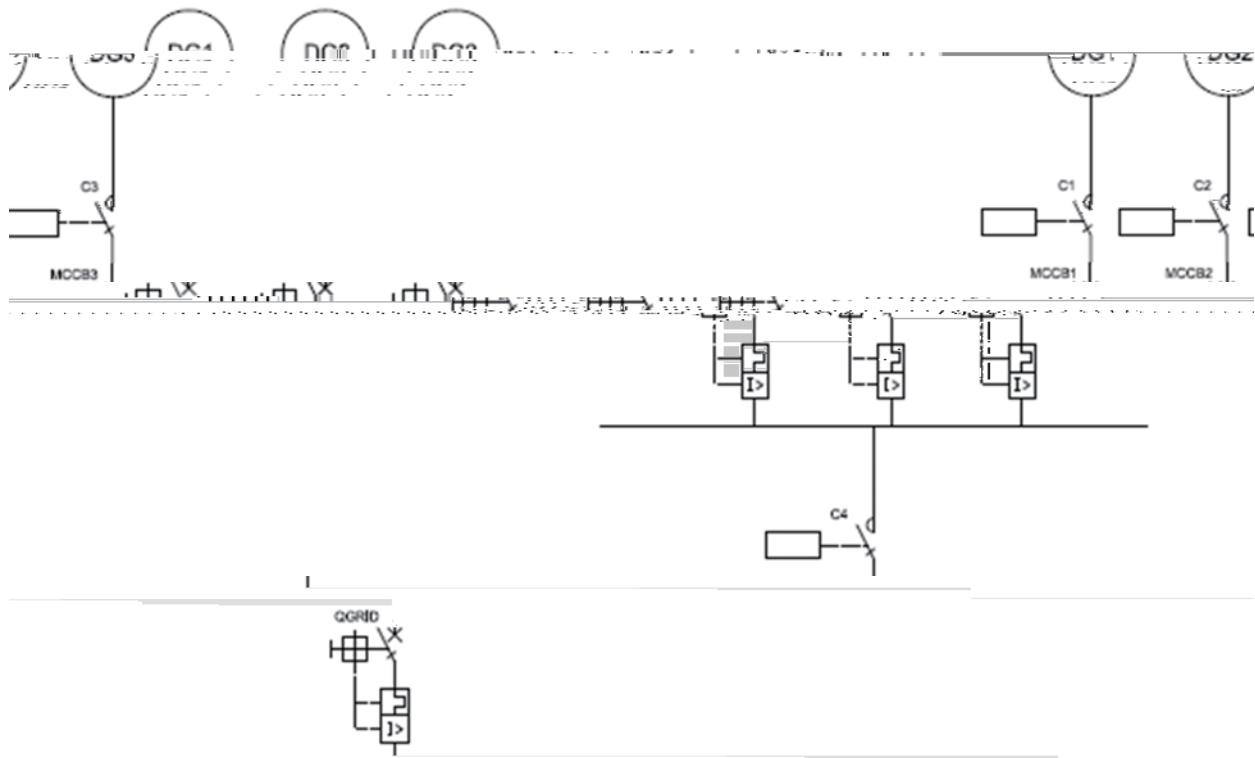


Fig. 1 Single Line Diagram of Micro-grid AC-Coupled System

H\Y'Gc`ih]cb`

Cfqrvkpi" 867mYj" Lkpmq" UwpIkie" gpgti{" uvqtcig"ecdKpgvu."vjg"enkGpv"yknn"dgpghkv"htqo"vjg" kpjgtgpv" cfxcpvcigu" qh" kvu" kpvgitcvgf" fgukip." ukornkhkgf" kpuvcncvkqp" cpf" ockpvgpcpeg" rtqegfwtgu." yjkg" cejkxkpi" c" jkij" ngxgn" qh" u{uvgo"kpvgitcvkqp0"

Vjg" 867mYj" GUU" u{uvgo" ku" fgukipgf" kp" ecdkpgvu"eqphkiwcvkqp."kpvgitcvgf" ykvj" fkhhtgtpv" uwd"u{uvgo"u"vq"fgnkxgt"qrvkocn"rgthqto"cepg"cpf" uchgv{0" Vjgug" kpenwfg" dcvtg{" tcemu." dcvtg{" ocpicigogpv" u{uvgo" *DOU+." nkswkf" eqqnkpi" u{uvgo." hktg" uwr rtguukqp" u{uvgo." rpygt" eqpxgtukqp" u{uvgo" *REU+ " cpf" gpgti{" ocpicigogpv"u{uvgo" *GOU+0"

Dcvtg{"Tcem"

Gcej" dcvtg{" tcem" qh" 437mYj" eqpukuvu" qh" 7" dcvtg{" rcemu" qh" 37508X" tcvgf" xqncig" eqppgevgf" kp" ugtkgu" vq" tgcej" c" vqvcn" 98:X0" Cnqpiukfg" c" jkij" xqncig" dqz" *JXD+" eqpukvki" qh" gngvtecn" rtqvevkqp" hqt" jkij" cpf" nqy" xqncig" etkewk" cpf" c" dcvtg{" enwuvgt" wkv" *DEW+" tgarqpukdng" hqt" eqngevki" cpf" rtqeguuki" fcvc" tgegkxgf" htqo" vjg" dcvtg{" rcem" wkvu0"

Dcvtg{"Ocpicigogpv"U{uvgo"

Vjg" uqnwvkqp" cfqrvu" c" DOU" ykvj" vyq" uvcig" ctejkvgevtg" wukpi" ECP" dwu" eqo" owpkecvkqp" dcvtg{" ocpicigogpv" wkv" *DOW+ " cpf" dcvtg{" enwuvgt" wkv" *DEW+0"

Vjg" DOW" ku" kpvgitcvgf" kpqv" gcej" rcem" vq" oqpkvt" vjg" egm" xqncigu." vgo" rgtcvwtg" cpf" ewttgpv0" Vjg" DEW" ku" kpvgitcvgf" kpqv" vjg" JXD" uw" o" ctk|kpi" vjg" fcvc" tgegkxgf" d{" vjg" DOWu0"

Vjg" DOU" ku" tgarqpukdng" hqt" tgcn" vkog" fgvevkqp" qh" vjgto" cn" cpf" gngvtecn" rctcogvgtu" *xqncig." ewttgpv." vgo" rgtcvwtg." gve000+." ceewtcvg" guvko" cvkqp" qh" dcvtg{" uvcvg" qh" ejctig" *UQE+ " cpf" uvcvg" qh" jgcnvj" *UQJ+ " ykvj" cwwq" ecnkdtcvkqp" cpf" uwr rqtv" qxgt/ejctig" rtqvevkqp." qxgt/fkuejctig"

rtqvevkqp."ujqtv"ektewk"rtqvevkqp."tgxgtug"rqnctkv{" rtqvevkqp." qxgtncf" rtqvevkqp." cpf" qxgt/ vgo" rgtcvwtg"rtqvevkqp0"

Vjg" DOU" ecp" u" ykhvn{" kuqncvg" nqecn" hcwnvu." tgrqtv" hcwnv" kphqt" o" cvkqp" cpf" rtqxkfg" tgcn" vkog" cnc"to" u0"

"""""""""" Fig. 2 BMS Communication Topology

Nkswkf"Eqqnkpi"U{uvgo"

Vjg"uqnwvkqp"cfqrvu" c"nkswkf"eqqnkpi"u{uvgo." yjkej" eqpukuvu"qh"nkswkf"eqqnkpi" jquv."nkswkf"vtcpu"okuukqp" rkrngkpg"cpf"dcvtg{"nkswkf"eqqnkpi"rncvg."cpf" o"wnvk/ o"qfg"tghkpgf"vjgto"cn" o"cpicigogpv"eqpvtqn"nqike"vq" o"ckpvckp"pqto"cn" vgo" rgtcvwtg" cpf" ko"rtqvg"u{uvgo" eqpukvgpe{" cpf" nkhgk"og0" Vjg" nkswkf" eqqnkpi" wkv" jcu" c" nqy" tcvgf" ecrcekv{" rh" 6mY0"

Hktg"Uwr rtguukqp"U{uvgo"

Vjg" hktg" uwr rtguukqp" u{uvgo" kpvgitcvgf" ykvj" kp" vjg" GUU" uo" fvV Vg ke kqkGT e c k O

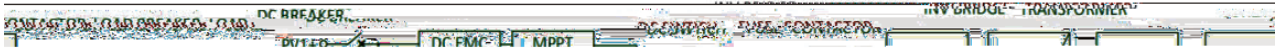


Fig. 4: PCS Single Line Diagram

PCS Communication Topology

The PCS is connected to the EMS via LAN. The PCS also receives DO signals from the EMS. The PCS is connected to the BMS via CAN. The BMS is connected to the Battery and Liquid Cooling via CAN. The BMS is connected to the Water Sensor, Temp. Sensor, and Fault Signals via 485 and DO.

The BMS is connected to the Battery and Liquid Cooling via CAN. The BMS is connected to the Water Sensor, Temp. Sensor, and Fault Signals via 485 and DO. The BMS is connected to the PCS via CAN. The PCS is connected to the EMS via LAN. The PCS also receives DO signals from the EMS.

The PCS is connected to the EMS via LAN. The PCS also receives DO signals from the EMS. The PCS is connected to the BMS via CAN. The BMS is connected to the Battery and Liquid Cooling via CAN. The BMS is connected to the Water Sensor, Temp. Sensor, and Fault Signals via 485 and DO.

The BMS is connected to the Battery and Liquid Cooling via CAN. The BMS is connected to the Water Sensor, Temp. Sensor, and Fault Signals via 485 and DO. The BMS is connected to the PCS via CAN. The PCS is connected to the EMS via LAN. The PCS also receives DO signals from the EMS.

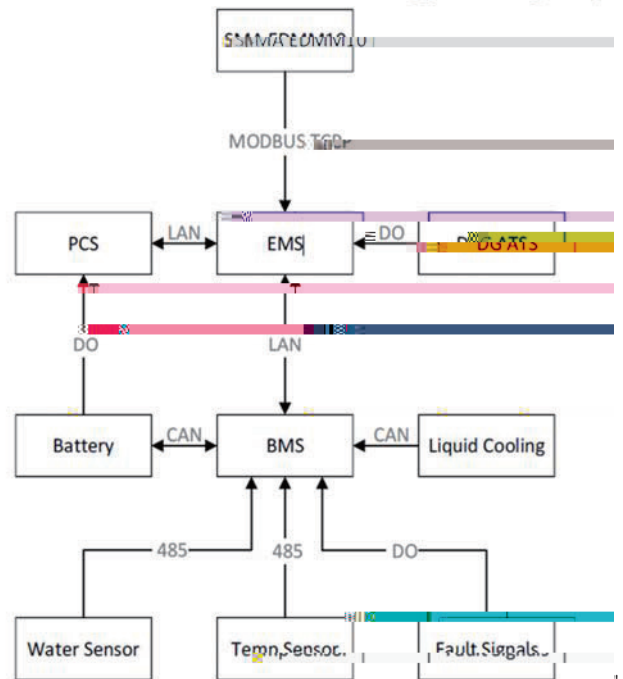


Fig. 5: EMS Communication Topology

CdYfUh]cb'@c [JW'

Vjg"u{uvgo"yknn"twp"kp"qhh"itkf"oqfg"fwtkpi"vjg"
fc{"yjgp"vjg"REU"uykvejgu"vq"itkf"hqto"kp"
oqfg"vq"ikxg"vjg"RX"kp"xtvgtu"eqpuvcp"xqncig"
cpf"htgswgpe{"vq"ejctig"vjg"dcwvgtku"cpf"hgff"
vjg"hceknkv{"nqcf0"

Cu"vjg"RX"ecrcekv{"qh"3:2mY"ku"nguu"vjcp"vjg"
oczko"o"cnmqycdng"ejctikpi"ecrcekv{"vjg"
GOU"yknn"ugpf"322'"rpygt"ugvrqkp"vq"RX"
kp"xtvgtu"yjgp"vjg"dcwvgt{"UQE"ku"dgvyggp"2"
cpf";2'0"

Cv";2'"UQE."vjg"GOU"yknn"uvctv"nko"kvkpi"vjg"
ejctikpi"htqo"RX"d{"ugpfkpi"rpygt"ugvrqkp"vq"
vjg"RX"kp"xtvgtu"gswn"vq<"

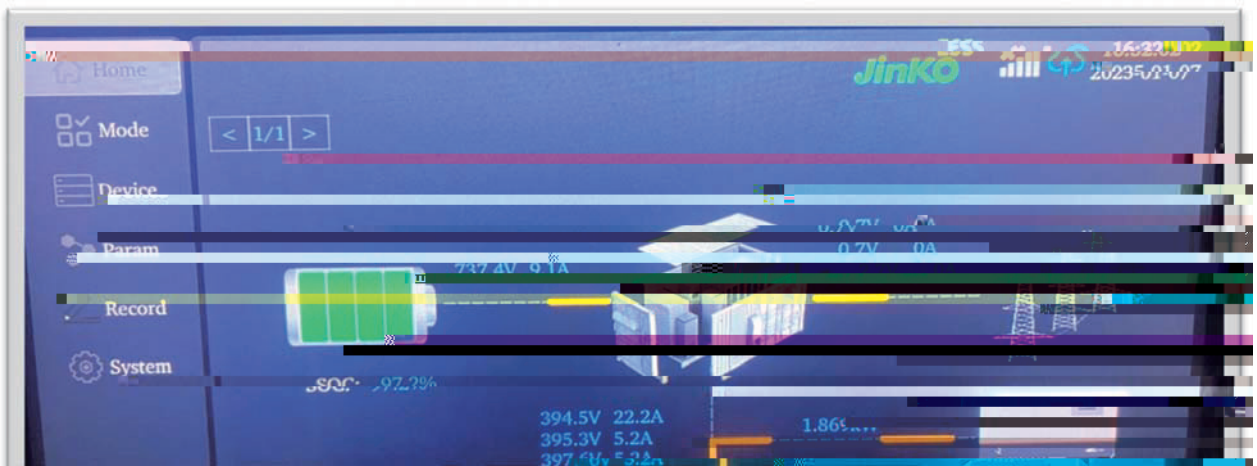


Fig. 5: EMS HMI Display

Fig. 6: EMS PV Inverters Power Limit Thresholds.

Acb]hcf]b ['GmghY a g'

UEW"Oqpkvqtksi"

Vjg" uqnwvkqp" ku" gswkrrgf" ykvj" qpg" UEW"
eqppgevgf"vq"vjg"5"dcvgt{"ecdkgvu"vq" o qpkvqt"
cpf"eqpvtqn"cmn"eqppgevgf"uwdu{uvgo u"*eqqkpi"
u{uvgo." HUU." DOWu." DEWu." gve í +" cpf"
rtqkfg" tgcñ" vkog" fcvc" hqt" enwvgt" cpf" egmu"
xqncig."vgo rgcvwtg"cpf"ewttgpv"cu"ygm"cu"vjg"
"

"

"

cu" vjg" cactou" nqi" cpf" twppkpi" uvcvwu" qh" vjg"
Uwp Iki c"ecdkgvu0"

Vjg"UEW"ku"eqppgevgf"vq"enqwf"xkc"NCP"ecdng"
eqppgevgf" vq" vjg" enkgpv" tqwgt0" Vjg" UEW" ku"
ceeguugf"tgo qvgn{"vj tqw i j"XRP0"

▪

Fig. 6: SCU Cloud Monitoring Display



Fig. 8: EMS Cloud Monitoring Platform

8UhU'5bU`mg]g'

42 ' ÖUQEö;2"

Vjg"RX" kpxgtvgtu"ctg" yqtmkpi"cv" 322 ' "cevkxg"
 rqygt"ugvrqkp"ukpeg"vjg"u{uvgo"UQE" ' "ku"nguu"
 vjcp"vjg" rqygt" nk okv" 3uv" vjtgujqnf" *;2 ' + "cu"
 ujqyp"kp"vjg"hkiwtg";"dgnqy<"

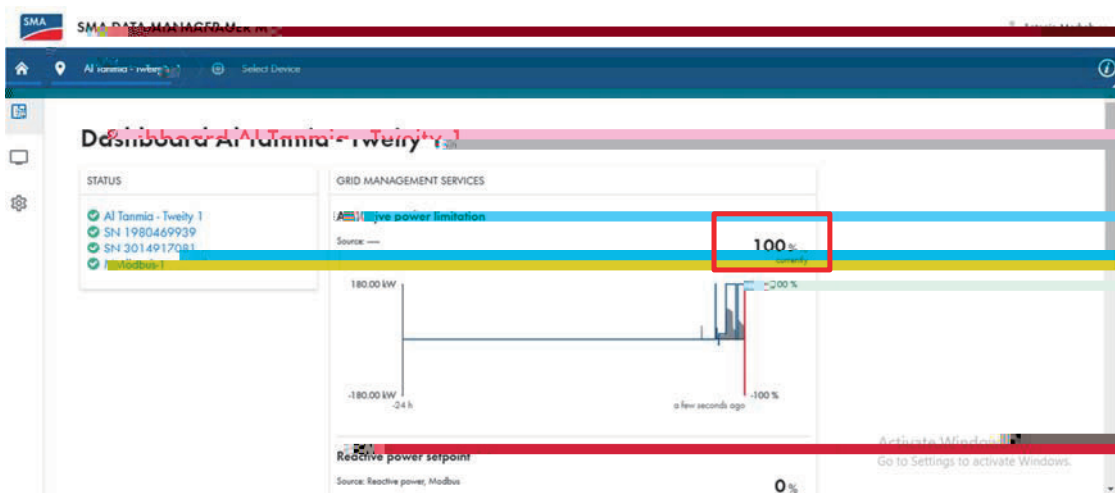


Fig. 9: SMA Monitoring platform showing 100% setpoint received from EMS

Á
"

0"
Á

